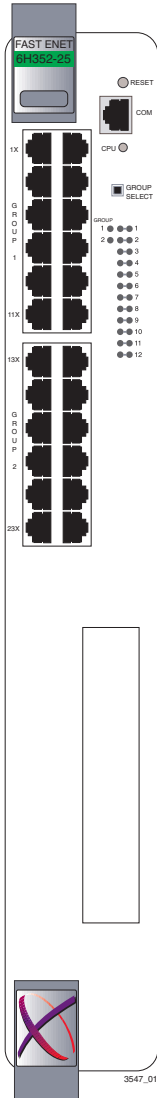


# 6H352-25 Fast Ethernet Installation Guide







**ELECTRICAL HAZARD:** Only qualified personnel should perform installation procedures.

## NOTICE

Enterasys Networks and its licensors reserve the right to make changes in specifications and other information contained in this document without prior notice. The reader should in all cases consult Enterasys Networks to determine whether any such changes have been made.

The hardware, firmware, or software described in this manual is subject to change without notice.

IN NO EVENT SHALL ENTERASYS NETWORKS AND ITS LICENSORS BE LIABLE FOR ANY INCIDENTAL, INDIRECT, SPECIAL, OR CONSEQUENTIAL DAMAGES WHATSOEVER (INCLUDING BUT NOT LIMITED TO LOST PROFITS) ARISING OUT OF OR RELATED TO THIS MANUAL OR THE INFORMATION CONTAINED IN IT, EVEN IF ENTERASYS NETWORKS AND ITS LICENSORS HAVE BEEN ADVISED OF, KNOWN, OR SHOULD HAVE KNOWN, THE POSSIBILITY OF SUCH DAMAGES.

Enterasys Networks, Inc.  
35 Industrial Way  
Rochester, NH 03866-5005

Enterasys Networks, Inc. is a subsidiary of Cabletron Systems, Inc.

© 2000 by Enterasys Networks, Inc.  
All Rights Reserved  
Printed in the United States of America

Order Number: 9033547 September 2000

LANVIEW is a registered trademark of Enterasys Networks or its licensors; SmartSwitch and Enterasys Networks are trademarks of Enterasys Networks or its licensors. SPECTRUM is a registered trademark of Aprisma Management Technologies or its licensors.

All other product names mentioned in this manual may be trademarks or registered trademarks of their respective companies.

---

## FCC NOTICE

This device complies with Part 15 of the FCC rules. Operation is subject to the following two conditions: (1) this device may not cause harmful interference, and (2) this device must accept any interference received, including interference that may cause undesired operation.

**NOTE:** This equipment has been tested and found to comply with the limits for a Class A digital device, pursuant to Part 15 of the FCC rules. These limits are designed to provide reasonable protection against harmful interference when the equipment is operated in a commercial environment. This equipment uses, generates, and can radiate radio frequency energy and if not installed in accordance with the operator's manual, may cause harmful interference to radio communications. Operation of this equipment in a residential area is likely to cause interference in which case the user will be required to correct the interference at his own expense.

**WARNING:** Changes or modifications made to this device which are not expressly approved by the party responsible for compliance could void the user's authority to operate the equipment.

## INDUSTRY CANADA NOTICE

This digital apparatus does not exceed the Class A limits for radio noise emissions from digital apparatus set out in the Radio Interference Regulations of the Canadian Department of Communications.

Le présent appareil numérique n'émet pas de bruits radioélectriques dépassant les limites applicables aux appareils numériques de la class A prescrites dans le Règlement sur le brouillage radioélectrique édicté par le ministère des Communications du Canada.

## VCCI NOTICE

This is a Class A product based on the standard of the Voluntary Control Council for Interference by Information Technology Equipment (VCCI). If this equipment is used in a domestic environment, radio disturbance may arise. When such trouble occurs, the user may be required to take corrective actions.

この装置は、情報処理装置等電波障害自主規制協議会（VCCI）の基準に基づくクラスA情報技術装置です。この装置を家庭環境で使用すると電波妨害を引き起こすことがあります。この場合には使用者が適切な対策を講ずるよう要求されることがあります。

---

# ENTERASYS NETWORKS, INC. PROGRAM LICENSE AGREEMENT

## BEFORE OPENING OR UTILIZING THE ENCLOSED PRODUCT, CAREFULLY READ THIS LICENSE AGREEMENT.

This document is an agreement (“Agreement”) between You, the end user, and Enterasys Networks, Inc. (“Enterasys”) that sets forth your rights and obligations with respect to the Enterasys software program (“Program”) in the package. The Program may be contained in firmware, chips or other media. UTILIZING THE ENCLOSED PRODUCT, YOU ARE AGREEING TO BECOME BOUND BY THE TERMS OF THIS AGREEMENT, WHICH INCLUDES THE LICENSE AND THE LIMITATION OF WARRANTY AND DISCLAIMER OF LIABILITY. IF YOU DO NOT AGREE TO THE TERMS OF THIS AGREEMENT, RETURN THE UNOPENED PRODUCT TO ENTERASYS OR YOUR DEALER, IF ANY, WITHIN TEN (10) DAYS FOLLOWING THE DATE OF RECEIPT FOR A FULL REFUND.

IF YOU HAVE ANY QUESTIONS ABOUT THIS AGREEMENT, CONTACT ENTERASYS NETWORKS (603) 332-9400. Attn: Legal Department.

**1. LICENSE.** You have the right to use only the one (1) copy of the Program provided in this package subject to the terms and conditions of this License Agreement.

You may not copy, reproduce or transmit any part of the Program except as permitted by the Copyright Act of the United States or as authorized in writing by Enterasys.

**2. OTHER RESTRICTIONS.** You may not reverse engineer, decompile, or disassemble the Program.

**3. APPLICABLE LAW.** This License Agreement shall be interpreted and governed under the laws and in the state and federal courts of New Hampshire. You accept the personal jurisdiction and venue of the New Hampshire courts.

**4. EXPORT REQUIREMENTS.** You understand that Enterasys and its Affiliates are subject to regulation by agencies of the U.S. Government, including the U.S. Department of Commerce, which prohibit export or diversion of certain technical products to certain countries, unless a license to export the product is obtained from the U.S. Government or an exception from obtaining such license may be relied upon by the exporting party.

If the Program is exported from the United States pursuant to the License Exception CIV under the U.S. Export Administration Regulations, You agree that You are a civil end user of the Program and agree that You will use the Program for civil end uses only and not for military purposes.

If the Program is exported from the United States pursuant to the License Exception TSR under the U.S. Export Administration Regulations, in addition to the restriction on transfer set forth in Sections 1 or 2 of this Agreement, You agree not to (i) reexport or release the Program, the source code for the Program or technology to a national of a country in Country Groups D:1 or E:2 (Albania, Armenia, Azerbaijan, Belarus, Bulgaria, Cambodia, Cuba, Estonia, Georgia, Iraq, Kazakhstan, Kyrgyzstan, Laos, Latvia, Libya, Lithuania, Moldova, North Korea, the People’s Republic of China, Romania, Russia, Rwanda, Tajikistan, Turkmenistan, Ukraine, Uzbekistan, Vietnam, or such other countries as may be designated by the United States Government), (ii) export to Country Groups D:1 or E:2 (as defined herein) the direct product of the Program or the technology, if such foreign produced direct product is subject to national security controls as identified on the U.S. Commerce Control List, or (iii) if the direct product of the technology is a complete plant or any major component of a plant, export to Country Groups D:1 or E:2 the direct product of the plant or a major component thereof, if such foreign produced direct product is subject to national security controls as identified on the U.S. Commerce Control List or is subject to State Department controls under the U.S. Munitions List.

---

**5. UNITED STATES GOVERNMENT RESTRICTED RIGHTS.** The enclosed Product (i) was developed solely at private expense; (ii) contains “restricted computer software” submitted with restricted rights in accordance with section 52.227-19 (a) through (d) of the Commercial Computer Software-Restricted Rights Clause and its successors, and (iii) in all respects is proprietary data belonging to Enterasys and/or its suppliers. For Department of Defense units, the Product is considered commercial computer software in accordance with DFARS section 227.7202-3 and its successors, and use, duplication, or disclosure by the Government is subject to restrictions set forth herein.

**6. EXCLUSION OF WARRANTY.** Except as may be specifically provided by Enterasys in writing, Enterasys makes no warranty, expressed or implied, concerning the Program (including its documentation and media).

ENTERASYS DISCLAIMS ALL WARRANTIES, OTHER THAN THOSE SUPPLIED TO YOU BY ENTERASYS IN WRITING, EITHER EXPRESS OR IMPLIED, INCLUDING BUT NOT LIMITED TO IMPLIED WARRANTIES OF MERCHANTABILITY AND FITNESS FOR A PARTICULAR PURPOSE, WITH RESPECT TO THE PROGRAM, THE ACCOMPANYING WRITTEN MATERIALS, AND ANY ACCOMPANYING HARDWARE.

**7. NO LIABILITY FOR CONSEQUENTIAL DAMAGES.** IN NO EVENT SHALL ENTERASYS OR ITS SUPPLIERS BE LIABLE FOR ANY DAMAGES WHATSOEVER (INCLUDING, WITHOUT LIMITATION, DAMAGES FOR LOSS OF BUSINESS, PROFITS, BUSINESS INTERRUPTION, LOSS OF BUSINESS INFORMATION, SPECIAL, INCIDENTAL, CONSEQUENTIAL, OR RELIANCE DAMAGES, OR OTHER LOSS) ARISING OUT OF THE USE OR INABILITY TO USE THIS ENTERASYS PRODUCT, EVEN IF ENTERASYS HAS BEEN ADVISED OF THE POSSIBILITY OF SUCH DAMAGES. BECAUSE SOME STATES DO NOT ALLOW THE EXCLUSION OR LIMITATION OF LIABILITY FOR CONSEQUENTIAL OR INCIDENTAL DAMAGES, OR IN THE DURATION OR LIMITATION OF IMPLIED WARRANTIES IN SOME INSTANCES, THE ABOVE LIMITATION AND EXCLUSIONS MAY NOT APPLY TO YOU.

---

## DECLARATION OF CONFORMITY

Application of Council Directive(s): **89/336/EEC**  
**73/23/EEC**

Manufacturer's Name: **Enterasys Networks, Inc.**

Manufacturer's Address: **35 Industrial Way**  
**PO Box 5005**  
**Rochester, NH 03867**

European Representative Name: **Mr. Jim Sims**

European Representative Address: **Enterasys Networks Ltd.**  
**Nexus House, Newbury Business Park**  
**London Road, Newbury**  
**Berkshire RG14 2PZ, England**

Conformance to Directive(s)/Product Standards: **EC Directive 89/336/EEC**  
**EC Directive 73/23/EEC**  
**EN 55022**  
**EN 55024**  
**EN 60950**  
**EN 60825**

Equipment Type/Environment: **Networking Equipment, for use in a Commercial  
or Light Industrial Environment.**

We the undersigned, hereby declare, under our sole responsibility, that the equipment packaged with this notice conforms to the above directives.

Manufacturer

Legal Representative in Europe

Mr. Tom Whissel

Mr. Jim Sims

Full Name

Full Name

Compliance Engineering Manager

President - E.M.E.A.

Title

Title

Rochester, NH, USA

Newbury, Berkshire, England

Location

Location





---

# Contents

Figures .....	ix
Tables.....	x

## ABOUT THIS GUIDE

Using This Guide.....	xi
Structure of This Guide .....	xii
Related Documents.....	xii
Document Conventions.....	xiii
Getting Help .....	xiv

# 1

## INTRODUCTION

1.1	Connectivity.....	1-3
1.2	Optional HSIMs and VHSIMs.....	1-3
1.3	Runtime IP Address Discovery .....	1-3
1.4	Half-Duplex/Full-Duplex Auto-Negotiation .....	1-4
1.5	SmartTrunk.....	1-4
1.6	Remote Monitoring (RMON) .....	1-4
1.7	Broadcast Suppression .....	1-5
1.8	Port/VLAN Redirect Functions .....	1-5
1.9	Traffic Rate Limiting .....	1-5
1.10	Flow Control .....	1-6
1.11	GARP Switch Operation.....	1-6
1.12	802.1 Port Priority .....	1-6
1.13	Distributed Chassis Management .....	1-7
1.14	Management .....	1-7
1.15	Switching Options .....	1-7
1.16	Standards Compatibility .....	1-8
1.17	LANVIEW Diagnostic LEDs .....	1-8

---

<b>2</b>	<b>NETWORK REQUIREMENTS</b>	
2.1	SmartTrunk Feature .....	2-1
2.2	10BASE-T Network .....	2-1
2.3	100BASE-TX Network.....	2-2
<b>3</b>	<b>INSTALLATION</b>	
3.1	Unpacking the 6H352-25 .....	3-2
3.2	Installing Optional HSIM, VHSIM, or Flash Memory Upgrade .....	3-2
3.3	Installing the Module into the MATRIX E7 Chassis.....	3-3
3.4	Installing the Module into the SmartSwitch Chassis .....	3-5
3.5	Connecting to the Network.....	3-7
3.6	Completing the Installation.....	3-10
<b>4</b>	<b>TROUBLESHOOTING</b>	
4.1	Using LANVIEW .....	4-1
4.2	Troubleshooting Checklist.....	4-5
4.3	Using the RESET Button.....	4-7
<b>A</b>	<b>SPECIFICATIONS</b>	
A.1	COM Port Pinout Assignments .....	A-2
A.2	Regulatory Compliance.....	A-3
<b>B</b>	<b>MODE SWITCH BANK SETTINGS AND OPTIONS</b>	
B.1	Required Tools.....	B-1
B.2	Setting the Mode Switches.....	B-2
B.3	FLASH Memory Upgrade.....	B-4
	B.3.1 Locating the FLASH Memory.....	B-4
	B.3.2 Installing the FLASH Memory .....	B-5
B.4	Installing Optional HSIM or VHSIM Interface Modules .....	B-6

## INDEX

---

# Figures

Figure		Page
1-1	The 6H352-25 Module.....	1-2
3-1	Installing the 6H352-25 into the MATRIX E7 Chassis.....	3-4
3-2	Installing the 6H352-25 into the SmartSwitch 6000 Chassis.....	3-6
3-3	Connecting a Twisted Pair Segment to the 6H352-25 .....	3-8
3-4	Crossover Cable RJ45 Pinouts .....	3-9
3-5	Straight-Through Cable RJ45 Pinouts.....	3-9
4-1	LANVIEW LEDs .....	4-2
4-2	RESET Button .....	4-7
B-1	Mode Switch Location .....	B-2
B-2	FLASH Memory Location .....	B-4
B-3	Installing the FLASH Memory.....	B-5
B-4	HSIM and VHSIM Connector Locations .....	B-6

---

# Tables

Table		Page
3-1	Contents of Module Carton.....	3-2
4-1	LANVIEW LEDs.....	4-3
4-2	Troubleshooting Checklist .....	4-5
1-1	Specifications for the 6H352-25 Module.....	A-1
A-2	COM Port Pin Assignments .....	A-2

---

# About This Guide

Welcome to the **6H352-25 Fast Ethernet Installation Guide**. This guide describes the 6H352-25 module and provides information concerning network requirements, installation, and troubleshooting. For information about how to use Local Management to configure and manage the 6H352-25, refer to the Enterasys Networks *MATRIX E7 Series and SmartSwitch 6000 Series Modules Local Management User's Guide*.

---

## Important Notice

Depending on the firmware version used in the 6H352-25, some features described in this document may not be supported. Refer to the Release Notes shipped with the 6H352-25 to determine which features are supported.

---

## USING THIS GUIDE

Read through this guide to completely understand the 6H352-25 capabilities and how to install the modules.

A general working knowledge of Ethernet and IEEE 802.3 type data communications networks and their physical layer components is helpful when using this module.



**NOTE:** In this document, the 6H352-25 is also referred to as the "module"; the MATRIX E7 (6C107) chassis as the "MATRIX E7"; and the SmartSwitch 6000 (6C105) chassis as the "SmartSwitch 6000".

## STRUCTURE OF THIS GUIDE

This guide is organized as follows:

This preface provides preliminary information to aid in using this manual, lists technology and user guides that may help the user set up and manage the 6H352-25, and gives instructions on how to get help from Enterasys Networks.

**Chapter 1, Introduction**, provides an overview of the module and its features.

**Chapter 2, Network Requirements**, outlines the network requirements that must be met before installing the module.

**Chapter 3, Installation**, provides instructions on how to install the 6H352-25, and connect segments to the module.

**Chapter 4, Troubleshooting**, describes the function of the LANVIEW LEDs, which can help to quickly diagnose network/operational problems.

**Appendix A, Specifications**, contains information on functionality and operating specifications, connector pinouts, environmental requirements, and physical properties.

**Appendix B, Mode Switch Bank Settings and Options**, describes how to set the Mode Switch and install options.

## RELATED DOCUMENTS

The following documents may help to set up and manage the 6H352-25:

- *MATRIX E7 Series and SmartSwitch 6000 Series Modules Local Management User's Guide*
- *MATRIX E7 Overview and Setup Guide*
- *6C105 SmartSwitch 6000 Overview and Setup Guide*
- *Ethernet Technology Guide*
- *Cabling Guide*
- *SmartTrunk User's Guide*
- Any applicable HSIM or VHSIM documentation

The manuals listed above can be obtained from the World Wide Web in Adobe Acrobat Portable Document Format (PDF) at the following site:

**<http://www.enterasys.com/>**



**NOTE:** All documentation for the Enterasys Networks SecureFast VLAN Manager software is contained on the VLAN Manager CD-ROM.

## DOCUMENT CONVENTIONS

The guide uses the following conventions:



**NOTE:** Calls the reader's attention to any item of information that may be of special importance.



**TIP:** Conveys helpful hints concerning procedures or actions.



**CAUTION:** Contains information essential to avoid damage to the equipment.



**ELECTRICAL HAZARD:** Warns against an action that could result in personal injury or death due to an electrical hazard.



**WARNING:** Warns against an action that could result in personal injury or death.

## GETTING HELP

For additional support related to the module or this document, contact us using one of the following methods:

---

World Wide Web	<a href="http://www.enterasys.com/">http://www.enterasys.com/</a>
Phone	(603) 332-9400
Internet mail	<a href="mailto:support@enterasys.com">support@enterasys.com</a>
FTP	<a href="ftp://ftp.enterasys.com">ftp://ftp.enterasys.com</a>
Login	<i>anonymous</i>
Password	<i>your email address</i>

---

To send comments or suggestions concerning this document, contact the Technical Writing Department via the following email address: **TechWriting@enterasys.com**

Make sure to include the document Part Number in the email message.

---

### **Before contacting Enterasys Networks, have the following information ready:**

- Your Enterasys Networks service contract number
- A description of the failure
- A description of any action(s) already taken to resolve the problem (e.g., changing mode switches, rebooting the unit, etc.)
- The serial and revision numbers of all involved Enterasys Networks products in the network
- A description of your network environment (layout, cable type, etc.)
- Network load and frame size at the time of trouble (if known)
- The device history (i.e., have you returned the device before, is this a recurring problem, etc.)
- Any previous Return Material Authorization (RMA) numbers



---

# Introduction

This chapter introduces the 6H352-25 Fast Ethernet switching module.

---

## Important Notice

Depending on the firmware version used in the 6H352-25, some features described in this document may not be supported. Refer to the Release Notes shipped with the 6H352-25 to determine which features are supported.

---

The 6H352-25 module ([Figure 1-1](#)) features 24 10BASE-T/100BASE-TX switched ports connected via 24 RJ45 front panel connectors, and one High Speed Interface Module connector that allows an optional HSIM or VHSIM to be installed in the module for connections to high speed services.

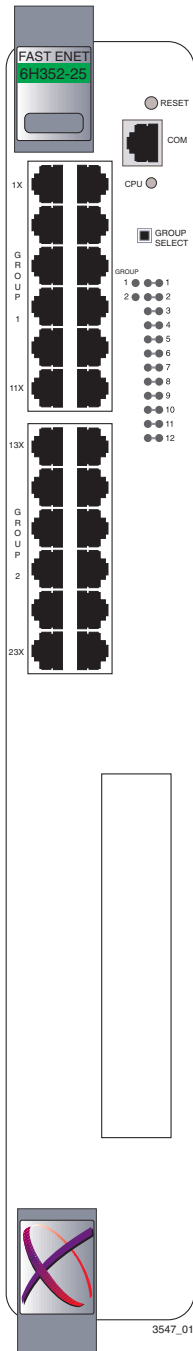
Each of the fixed front panel ports can operate in either half-duplex or full-duplex mode of operation, as determined by auto-negotiation. Speed (10/100) or duplex can also be manually configured.

The 6H352-25 is a high-speed network switching module that supports IEEE 802.1D switching (bridging). Distributed Chassis Management (DCM) and functionality is not supported when the module is installed in the MATRIX E7. However, DCM is supported when the 6H352-25 module is installed in the SmartSwitch 6000 chassis.

The 6H352-25 ports can be configured to control traffic in several ways, including prioritizing traffic flow according to protocol type. The 6H352-25 can also be configured to establish 802.1Q Virtual Local Area Networks (VLANs) and control the flow of frames associated with each VLAN according to priority and Ether type. Detailed information about VLANs is provided in the Enterasys Networks *MATRIX E7 Series and SmartSwitch 6000 Series Modules Local Management User's Guide*.

The 6H352-25 receives power and backplane connectivity when it is inserted into an Enterasys Networks MATRIX E7 or SmartSwitch 6000 chassis.

Figure 1-1 The 6H352-25 Module



## 1.1 CONNECTIVITY

The 6H352-25 connects to Ethernet networks or workstations through the front panel connectors. The ports support Unshielded Twisted Pair (UTP) cables with an impedance between 85 and 111 ohms at lengths up to 100 meters. The ports are IEEE 802.3 10BASE-T and 100BASE-TX compliant.

## 1.2 OPTIONAL HSIMs AND VHSIMs

Optional HSIMs and VHSIMs are available from Enterasys Networks for additional connectivity to various networking technologies. The HSIMs and VHSIMs available for the 6H352-25 are listed in the Release Notes shipped with the module.

## 1.3 RUNTIME IP ADDRESS DISCOVERY

This feature enables the 6H352-25 to automatically accept an IP address from a Boot Strap Protocol (BootP) server on the network without requiring a user to enter an IP address through Local Management.

When the 6H352-25 is connected to the network and powered up, Runtime IP Address Discovery (RAD) checks the module for an IP address. If one has not yet been assigned (module IP address set to 0.0.0.0), RAD checks to see if any of the module interfaces have a link. If a link is discovered, RAD sends out Reverse Address Resolution Protocol (RARP) and BootP requests to obtain an IP address from a BootP server on the network.

The RAD requests start at an interval of one per second. The interval then doubles after every transmission until an interval of 300 seconds is reached. At this point, the interval remains at 300 seconds. The RAD requests continue until an IP address is received from a RARP or BootP server, or an IP address is entered using Local Management.



**NOTE:** The 6H352-25 will reboot after RAD is successful.

## 1.4 HALF-DUPLEX/FULL-DUPLEX AUTO-NEGOTIATION

The fixed front panel ports on the 6H352-25 have the ability to auto-negotiate the ports' mode of operation (half-duplex or full-duplex) between two devices according to the 802.3x standard. During Auto-Negotiation, two devices automatically exchange information "telling" each other their current operating mode. The Auto-Negotiation feature targets the maximum capability that can be reached between the two devices. For example, the 6H352-25 can adjust to full-duplex operation when the device on the other end of the connection can also adjust from half-duplex to full-duplex. If the device on the other end of the connection can only operate in half-duplex mode, then the 6H352-25 simply adjusts to operate in half-duplex mode.

## 1.5 SmartTrunk

Traditional 802.1D Spanning Tree Bridges only allow one active data path between any two switches; all other parallel data paths are in Standby or Blocking mode. If one interface or path should fail, then the other interface automatically comes out of Blocking mode and forwards all of the traffic. This is fine for redundancy purposes. However, it is not the most efficient use of resources.

SmartTrunk, also referred to as SmartTrunking, is Enterasys Networks' terminology for load balancing or load sharing. SmartTrunk provides the ability to take full advantage of the network's redundant bandwidth. SmartTrunk divides network traffic across multiple ports in parallel to provide additional throughput. The SmartTrunk application can be used with any of Enterasys Networks' switch modules (except ATM modules).

For more information about SmartTrunk and how to configure the SmartSwitch, refer to the *MATRIX E7 Series and SmartSwitch 6000 Series Modules Local Management User's Guide*.

## 1.6 REMOTE MONITORING (RMON)

The 6H352-25 supports all nine Ethernet RMON groups. The Statistics, Alarms, Events and History groups are enabled on all ports by default.

Enterasys Networks RMON Actions is a vendor-specific extension of RMON and provides the ability to set an "Action" on any SNMP MIB variable. The Action can be triggered by any RMON Event and/or Alarm. An example of an Action would be to turn off a MIB-2 interface if a broadcast threshold is crossed.

## 1.7 BROADCAST SUPPRESSION

Broadcast Suppression enables a user to set a desired limit of receive broadcast frames per port/second to be forwarded out the other ports on the module. Any broadcast frames above this specified limit are dropped. In the event that broadcast frames are being suppressed, multicast and unicast frames continue to be switched.

## 1.8 PORT/VLAN REDIRECT FUNCTIONS

The port redirect function, also referred to as “Port Mirroring,” is a troubleshooting tool used to map traffic from a single source port to a single destination port within the module. This feature allows frames, including those with errors, to be copied and sent to an analyzer or RMON probe. The analyzer or RMON probe will see the data as if it were directly connected to the LAN segment of the source port.

The VLAN redirect function is similar to the port redirect function except that the frames received by the module are redirected to a designated destination port according to the VLAN classification of the frames received. Multiple VLANs can be directed to the same destination port. The VLAN redirect function is only supported when the module is operating as an 802.1Q switch.

## 1.9 TRAFFIC RATE LIMITING

The Traffic Rate Limiting feature enables the SmartSwitch device to control traffic rates on a per-port, per-priority basis. The network administrator can configure a rate limit (from 100 kbps to 1 Gbps) for a given port with an associated list of IEEE 802.1p priorities (which can include one, some, or all of the eight priority levels defined in 802.1p). Each rate limit is specified as an inbound or an outbound limit. The combined rate of all traffic on the port that matches the listed priorities cannot exceed the programmed limit. If the rate exceeds the defined limit, frames are dropped until the rate falls below the limit.

Administrators can configure up to four rate limit rules per port; however, each rule must not include conflicting 802.1p priority values. In order to control inbound and outbound traffic on the same port, two rate limiting rules must be configured (one for inbound and one for outbound). Since the rate limiting operation occurs after the processing of the multi-layer classification rules, the two features can be combined to provide application-aware rate limiting.



**NOTE:** This Traffic Rate Limiting function is not supported on ports connected to SmartTrunk segments.

For more information about the application of the Rate Limiting function, refer to the Enterasys Networks *MATRIX E7 Series and SmartSwitch 6000 Series Modules Local Management User's Guide*.

## 1.10 FLOW CONTROL

Flow control is a method of managing the flow of frames between two devices. It ensures that a transmitting device does not saturate a receiving device with data. This is accomplished by the transmitting device pausing its transmission while the receiving device processes the frames already received.

The 6H352-25 supports the following two types of flow control:

- Frame based 802.3x
- Back pressure

Frame based 802.3x flow control is supported on all Ethernet ports operating in the full-duplex mode. Flow control can be enabled or disabled on a port-by-port basis.

Back pressure flow control is supported on all Ethernet ports operating in the half-duplex mode of operation. Flow control can be enabled or disabled on a port-by-port basis.

## 1.11 GARP SWITCH OPERATION

Some or all ports on the switch may be activated to operate under the Generic Attribute Registration Protocol (GARP) applications, GARP VLAN Registration Protocol (GVRP) and/or GARP Multicast Registration Protocol (GMRP).

GARP is a protocol, or set of rules, that outlines a mechanism for propagating the port state and/or user information throughout a bridged LAN to keep track of users and VLANs on the network fabric. MAC bridges and end users alike can take part in the registration and de-registration of GARP attributes such as VLAN and multicast group membership. For more details on how GVRP and GMRP handle frames under GARP, and how to configure the switch ports to take advantage of this operation, refer to the Enterasys Networks *MATRIX E7 Series and SmartSwitch 6000 Series Modules Local Management User's Guide*.

## 1.12 802.1 PORT PRIORITY

The 802.1 port priority is used to assign a default priority to the frames received without priority information in their tag header, map prioritized frames to the appropriate transmit queues, and prioritize frames according to protocol type. The 802.1 port priority is part of the IEEE 802.1D standard.

## 1.13 DISTRIBUTED CHASSIS MANAGEMENT

### Installation in the MATRIX E7 Chassis

From a management perspective, 6x3xx modules in the MATRIX E7 chassis can be managed separately by individual IP addresses. Any modules in the MATRIX E7 can be selected and managed, however, no overall system wide settings are available.



**NOTE:** The MATRIX E7 chassis does not allow Distributed Chassis Management functionality as in the SmartSwitch 6000 chassis. Refer to the Enterasys Networks *MATRIX E7 Overview and Setup Guide* for more information.

### Installation in the SmartSwitch 6000 chassis

The SmartSwitch 6000 chassis can be viewed as a single entity with a single IP address. Its systems management functions are distributed to all modules, including the 6H352-25. The chassis can be managed using a single IP address, or the modules can be managed separately by individual IP addresses. When the IP address of the chassis is used, system wide settings can be done from the chassis menu in Local Management, while module settings are done by selecting the specific module to be modified and changing the settings for that module.

## 1.14 MANAGEMENT

Management of the module can be either in-band or out-of-band. In-band remote management is possible through any SNMP compliant Network Management Software, such as Enterasys Networks' Webview and Aprisma's SPECTRUM for Open Systems suite of management products. Out-of-band Local Management is provided through the RJ45 COM port on the front panel using a VT100 terminal or a VT100 terminal emulator.

Local Management, described in a separate Enterasys Networks document, provides the ability to manage the 6H352-25. Refer to the *MATRIX E7 Series and SmartSwitch 6000 Series Modules Local Management User's Guide* for more information.

## 1.15 SWITCHING OPTIONS

The 6H352-25 provides 802.1Q switching between all of the front panel interfaces. In the 802.1Q mode (the default mode of operation), the 6H352-25 functions as an 802.1D switch until VLANs are configured.

IEEE 802.1Q switching allows migration to Virtual Network technologies without requiring the replacement of existing equipment.

## 1.16 STANDARDS COMPATIBILITY

The 6H352-25 is fully compliant with the IEEE 802.3, 802.3u, 802.3x, 802.1D, and 802.1Q standards. The 6H352-25 provides IEEE 802.1D Spanning Tree Algorithm (STA) support to enhance the overall reliability of the network and protect against “loop” conditions. The 6H352-25 supports a wide variety of industry standard MIBs including RFC 1213 (MIB II), RFC 1757 (RMON), RFC 1493 (Bridge MIB), RFC 1354 (FIB MIB), and RFC 1190 (Path MTU Discovery). A full suite of Enterasys Networks Enterprise MIBs provide a wide array of statistical information to enhance troubleshooting. For information on how to extract and compile individual MIBs, contact Enterasys Networks.

## 1.17 LANVIEW DIAGNOSTIC LEDs

LANVIEW diagnostic LEDs serve as an important troubleshooting aid by providing an easy way to observe the status of individual ports and overall network operations.



---

# Network Requirements

Before installing the 6H352-25, review the requirements and specifications referred to in this chapter concerning the following:

- SmartTrunk ([Section 2.1](#))
- 10BASE-T Twisted Pair Network ([Section 2.2](#))
- 100BASE-T Twisted Pair Network ([Section 2.3](#))

The network installation must meet the requirements to ensure satisfactory performance of this equipment. Failure to do so will produce poor network performance.



**NOTE:** The Enterasys Networks *MATRIX E7 Series and SmartSwitch 6000 Series Modules Local Management User's Guide* and *Cabling Guide* referred to in the following sections can be found on the Enterasys Networks World Wide Web site: <http://www.enterasys.com/>

## 2.1 SmartTrunk FEATURE

Before connecting the 6H352-25 to a network so it can take advantage of the SmartTrunk feature, there are certain rules concerning port connections and configurations that must be followed for proper operation. Refer to the *SmartTrunk User's Guide* for additional information.

## 2.2 10BASE-T NETWORK

When connecting a 10BASE-T segment to any of the 6H352-25 ports (1 through 24), ensure that the network meets the Ethernet network requirements of the IEEE 802.3 standard for 10BASE-T. Refer to the *Cabling Guide* for details.



**NOTE:** If a port is to operate at 100 Mbps, Category 5 cabling must be used. Category 3 cabling does not meet 100 Mbps specifications. For 10 Mbps operation only, Category 3 or Category 5 cabling can be used. Refer to [Section 2.3](#) for information about 100BASE-TX networks and cabling.

## 2.3 100BASE-TX NETWORK

The fixed front panel ports of the 6H352-25 provide a connection that supports Category 5 UTP cabling. The device at the other end of the twisted pair segment must meet IEEE 802.3u 100BASE-TX Fast Ethernet network requirements for the devices to operate at 100 Mbps. Refer to the Enterasys Networks *Cabling Guide* for details.



**NOTE:** The fixed ports of the 6H352-25 support Category 5 UTP cabling with an impedance between 85 and 111 ohms for 100 Mbps operation.

The 6H352-25 is capable of operating at either 10 or 100 Mbps. The 6H352-25 automatically senses the speed of the other device and adjusts its speed accordingly.



**ELECTRICAL HAZARD:** Only qualified personnel should install the 6H352-25.



**NOTE:** Read the Release Notes shipped with the module to check for any exceptions to the supported features and operation documented in this guide.

This chapter provides the instructions to install the 6H352-25 module. A Phillips screwdriver is required to install options into the module. Follow the order of the sections listed below to correctly install the module.

- Unpacking the 6H352-25 ([Section 3.1](#))
- Installing Optional HSIMs, VHSIMs or Memory Upgrade ([Section 3.2](#))
- Installing the 6H352-25 into the MATRIX E7 Chassis ([Section 3.3](#))
- Installing the 6H352-25 into the SmartSwitch 6000 Chassis ([Section 3.4](#))
- Connecting to the Network ([Section 3.5](#))
- Completing the Installation ([Section 3.6](#))

## 3.1 UNPACKING THE 6H352-25

Unpack the module as follows:

1. Open the box and remove the packing material protecting the 6H352-25.
2. Verify the contents of the carton as listed in [Table 3-1](#).

**Table 3-1 Contents of Module Carton**

Item	Quantity
The 6H352-25 Module	1
Antistatic Wrist Strap	1
Manual Accessory Kit	1

3. Remove the tape seal on the non-conductive bag to remove the 6H352-25.
4. Perform a visual inspection of the module for any signs of physical damage. Contact Enterasys Networks if there are any signs of damage. Refer to [Getting Help](#) for details.

## 3.2 INSTALLING OPTIONAL HSIM, VHSIM, OR FLASH MEMORY UPGRADE



**NOTE:** Install any optional equipment before proceeding to [Section 3.3](#).

If the 6H352-25 is to be installed with an optional HSIM or VHSIM, refer to the user's guide of the HSIM or VHSIM for complete installation instructions, or [Appendix B](#) for the placement of the HSIM or VHSIM on the 6H352-25.

For a FLASH memory upgrade, refer to [Appendix B](#) for installation instructions.

### 3.3 INSTALLING THE MODULE INTO THE MATRIX E7 CHASSIS



**CAUTION:** Failure to observe static safety precautions could cause damage to the 6H352-25. Follow static safety handling rules and wear the antistatic wrist strap provided with the MATRIX E7 chassis.

Do not cut the non-conductive bag to remove the module. Sharp objects contacting the board or components can cause damage.

The 6H352-25 can be installed in any of the slots that are available.



**NOTE:** The 6H3xx (third generation modules) can provide backplane connectivity for the 6x1xx and 6x2xx series (first and second generation modules) in the MATRIX E7 chassis, from slots 1 through 5 to slots 6 and 7.

First and second generation boards installed in slots one through five in the MATRIX E7 chassis cannot communicate with slots six and seven unless a third generation board (6x3xx) is installed in one of the first five slots, providing backplane connectivity.

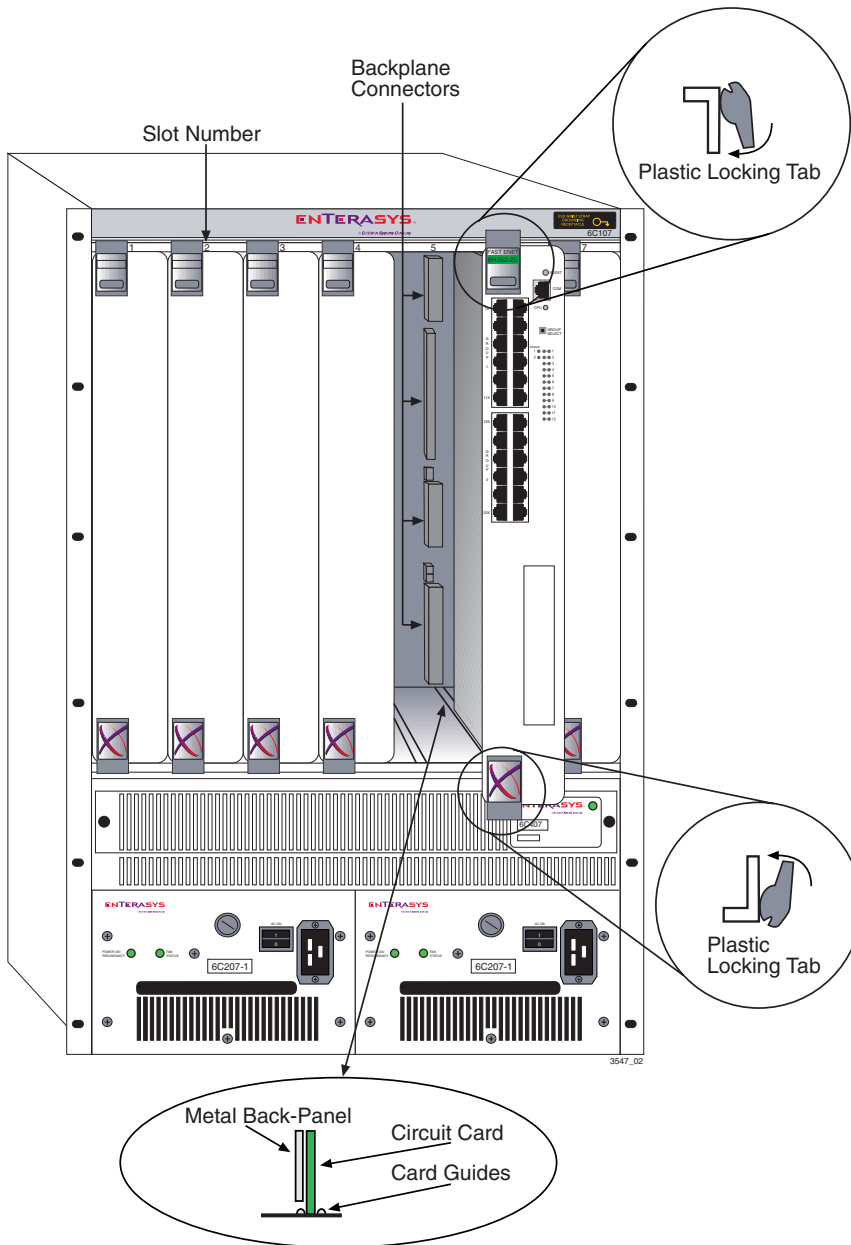
To install a module, refer to [Figure 3-1](#) and proceed as follows:

1. Remove the blank panel covering the slot in which the module will be installed. All other slots must remain covered to ensure proper airflow and cooling. (Save the blank plate in the event you need to remove the module.)
2. Carefully remove the module from the shipping box. (Save the box and packing materials in the event the module must be reshipped.)
3. Locate the antistatic wrist strap shipped with the 6H352-25. Attach the antistatic wrist strap to your wrist and plug the cable from the antistatic wrist strap into the ESD grounding receptacle at the upper right corner of the MATRIX E7 chassis.
4. Remove the module from the plastic bag. (Save the bag in the event the module must be reshipped.) Observe all precautions to prevent damage from Electrostatic Discharge (ESD).



**NOTE:** Distributed Chassis Management functionality of the SmartSwitch 6000 chassis is not supported for any generation of interface modules installed in a MATRIX E7 chassis. Refer to the module release notes for specific information on supported functionality.

Figure 3-1 Installing the 6H352-25 into the MATRIX E7 Chassis



5. Examine the module for damage. If any damage exists, DO NOT install the module. Immediately contact Enterasys Networks. Refer to [Getting Help](#), in [About This Guide](#).



**CAUTION:** To prevent damaging the backplane connectors in the following step, take care that the module slides in straight and properly engages the backplane connectors.

**Ensure that the top plastic locking tab lines up with the desired slot number located on the front panel of the chassis. Refer to [Figure 3-1](#).**

6. Locate the slot guides that line up with the number of the slot in which the module will be installed. Install the module in the chassis by aligning the module circuit card between the upper and lower metal rail guides of the desired slot, sliding it into the chassis, and locking down the top and bottom plastic locking tabs, as shown in [Figure 3-1](#). Take care that the module slides in straight and properly engages the backplane connectors.
7. If the chassis in which the module is installed was powered down for the installation, turn it back on. Check to see that the CPU LED settles at solid green after a few minutes. If the LED does not turn solid green, see [Chapter 4](#) for details.

### 3.4 INSTALLING THE MODULE INTO THE SmartSwitch CHASSIS



**CAUTION:** Failure to observe static safety precautions could cause damage to the 6H352-25. Follow static safety handling rules and wear the antistatic wrist strap provided with the SmartSwitch 6000 chassis.

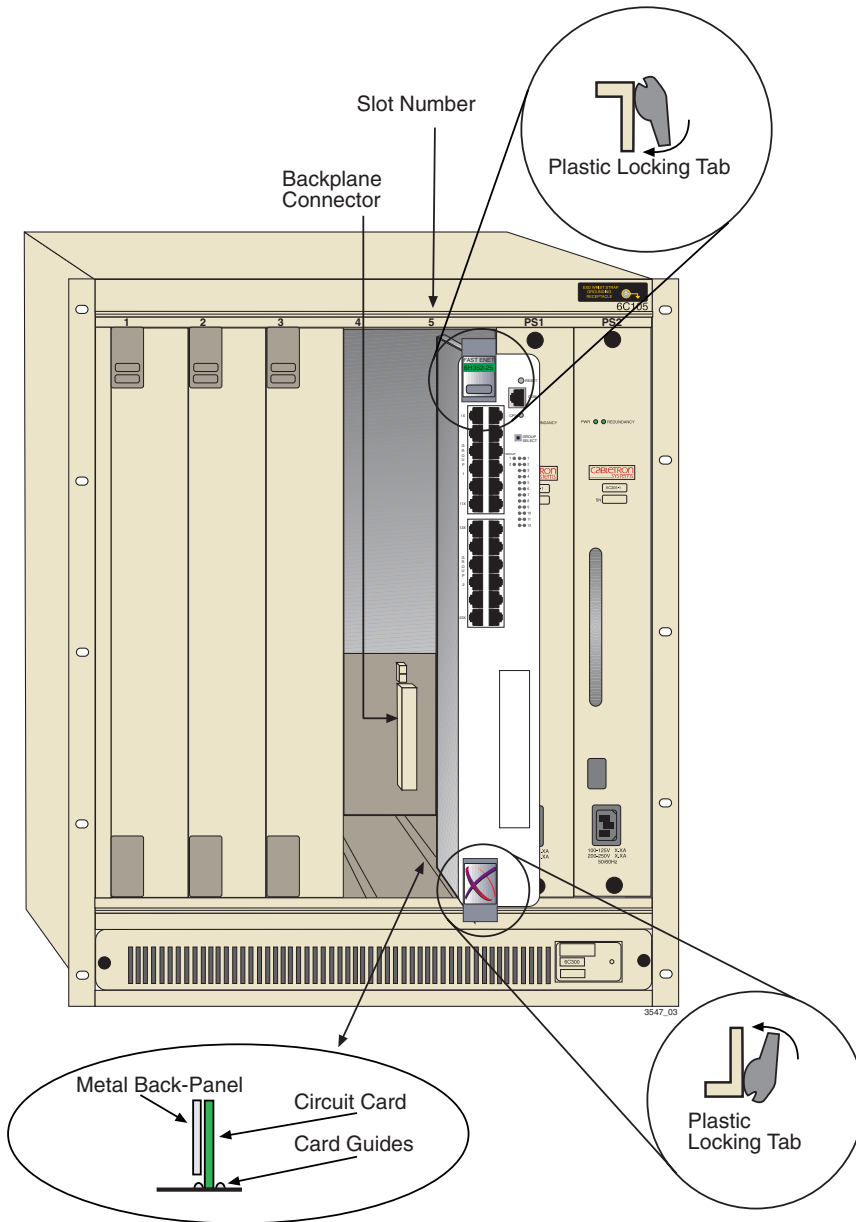
Do not cut the non-conductive bag to remove the module. Sharp objects contacting the board or components can cause damage.

Certain restrictions apply when installing the 6H352-25 into the SmartSwitch 6000 chassis. Refer to the Release Notes for any updated information concerning installing the modules into the SmartSwitch 6000 chassis. Otherwise, the installation procedure from [Section 3.4](#) can be followed, with the exception that the 6C105 chassis has only 5 slots as opposed to the 7 slots in the MATRIX E7. The 6H352-25 can be installed in any of the slots that are available. To install a module, refer to [Figure 3-2](#) and proceed as in [Section 3.3](#).



**NOTE:** The Distributed Chassis Management and SecureFast Switching functionality is supported when the modules are installed in a SmartSwitch 6000 chassis. Refer to the module release notes for specific information on supported functionality.

Figure 3-2 Installing the 6H352-25 into the SmartSwitch 6000 Chassis





## 3.5 CONNECTING TO THE NETWORK

This section provides the procedures for connecting unshielded twisted pair (UTP) segments from the network or other devices to the 6H352-25. Refer to the appropriate manual if connecting an optional HSIM or VHSIM to the network. For details on how to get manuals, refer to the [Related Documents](#) section in [About This Guide](#).



If the 6H352-25 is being installed in a network using SmartTrunking, there are rules concerning the network cable and port configurations that must be followed for SmartTrunking to operate properly. Before connecting the cables, refer to the *MATRIX E7 Series and SmartSwitch 6000 Series Modules Local Management User's Guide* for the configuration information.

The fixed front panel ports of the 6H352-25 are 10/100 RJ45 ports with internal crossovers. When connecting a workstation to these ports, use a straight-through cable. When connecting networking devices to these ports, such as a bridge, repeater, or router, use a crossover cable.

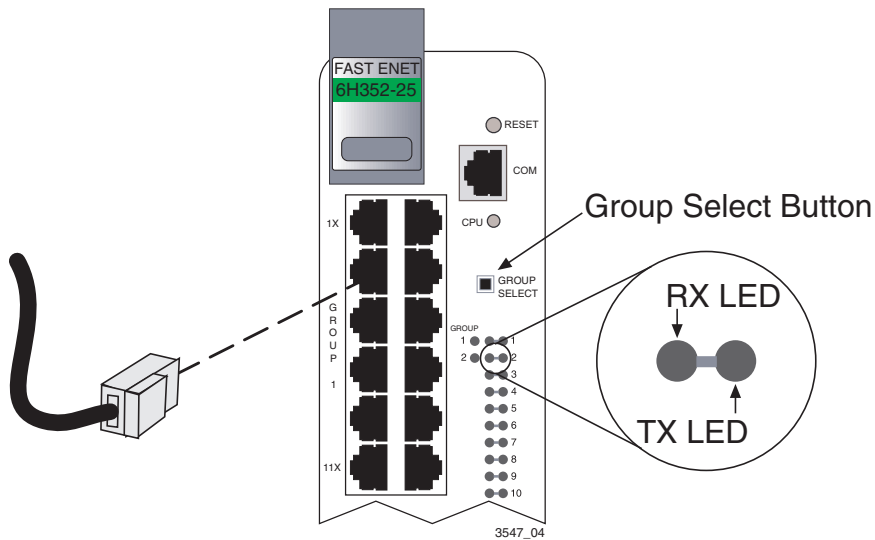


All RJ45 front panel ports on the 6H352-25 support Category 5 Unshielded Twisted Pair (UTP) cabling with an impedance between 85 and 111 ohms. Category 3 cable may be used if the connection is going to be used only for 10 Mbps.

Connect a twisted pair segment to the 6H352-25 as follows:

1. Ensure that the device connected to the other end of the segment is powered ON.
2. Connect the twisted pair segment to the 6H352-25 by inserting the RJ45 connector on the twisted pair segment into the desired RJ45 port as shown in [Figure 3-3](#).

Figure 3-3 Connecting a Twisted Pair Segment to the 6H352-25



3. Verify that a link exists by checking that the port **RX** (Receive) LED is ON (flashing amber, blinking green, or solid green). If the **RX** LED is OFF and the **TX** (Transmit) LED is not blinking amber, perform the following steps until it is on:
  - a. To view the receive and transmit activity on a group of segments, press the **GROUP SELECT** button (see Figure 3-3) to step to the group of interest (Group 1 or 2). Each time the **GROUP SELECT** button is pressed, the **GROUP LED** lights up in sequence, indicating which Group is selected. The receive and transmit activity for that group of segments is then indicated by the **RX** and **TX** LEDs for each segment.
  - b. Verify that the cabling being used is Category 5 UTP with an impedance between 85 and 111 ohms. If the port is to operate at 100 Mbps, category 5 cabling must be used.
  - c. Verify that the device at the other end of the twisted pair segment is on and properly connected to the segment.
  - d. Verify that the RJ45 connectors on the twisted pair segment have the proper pinouts (Figure 3-4 and Figure 3-5) and check the cable for continuity. Typically, a crossover cable is used between a switching or hub device and an end user (computer). A straight-through cable is used between hub devices.

Figure 3-4 Crossover Cable RJ45 Pinouts

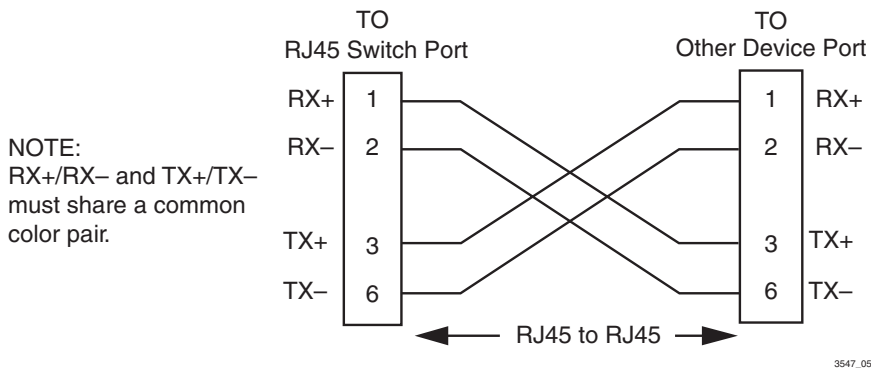
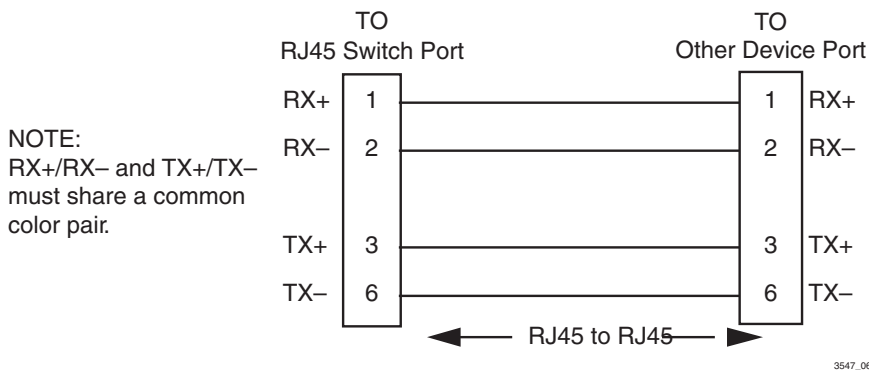


Figure 3-5 Straight-Through Cable RJ45 Pinouts



- e. Ensure that the twisted pair connection meets the dB loss and cable specifications outlined in the *Cabling Guide*. Refer to [About This Guide](#) for information on obtaining this document.

If a link is not established, contact Enterasys Networks. Refer to [Getting Help](#), in [About This Guide](#), for details.

4. Repeat steps 1 through 3 above, until all connections have been made.

## 3.6 COMPLETING THE INSTALLATION

After installing the 6H352-25 and making the connections to the network, proceed as follows:

1. If the chassis is installed in a rack that has strain-relief brackets, secure the cables by running the cables along the strain-relief bracket and tying them to the bracket using cable ties.
2. The 6H352-25 is now ready to be configured through Local Management. Refer to the *MATRIX E7 Series and SmartSwitch 6000 Series Modules Local Management User's Guide* for information on how to access and use Local Management. For details on how to obtain manuals, refer to the [Related Documents](#) section in **About This Guide**.

This chapter provides information concerning the following:

- Using LANVIEW ([Section 4.1](#))
- Troubleshooting Checklist ([Section 4.2](#))
- Using the RESET Button ([Section 4.3](#))

## 4.1 USING LANVIEW

The 6H352-25 uses Enterasys Networks' built-in visual diagnostic and status monitoring system called LANVIEW. The LANVIEW LEDs ([Figure 4-1](#)) allow quick observation of the network status to aid in diagnosing network problems.

### Viewing Receive and Transmit Activity

Only one group of segments may be viewed at a time.

To view the receive and transmit activity on a group of segments, press the GROUP SELECT button (see [Figure 4-1](#)) to step to the group of interest (Group 1 or 2). Each time the GROUP SELECT button is pressed, the GROUP LED lights up in sequence, indicating which Group is selected. The receive and transmit activity for that group of segments is then indicated by the RX and TX LEDs for each segment.

Figure 4-1 LANVIEW LEDs

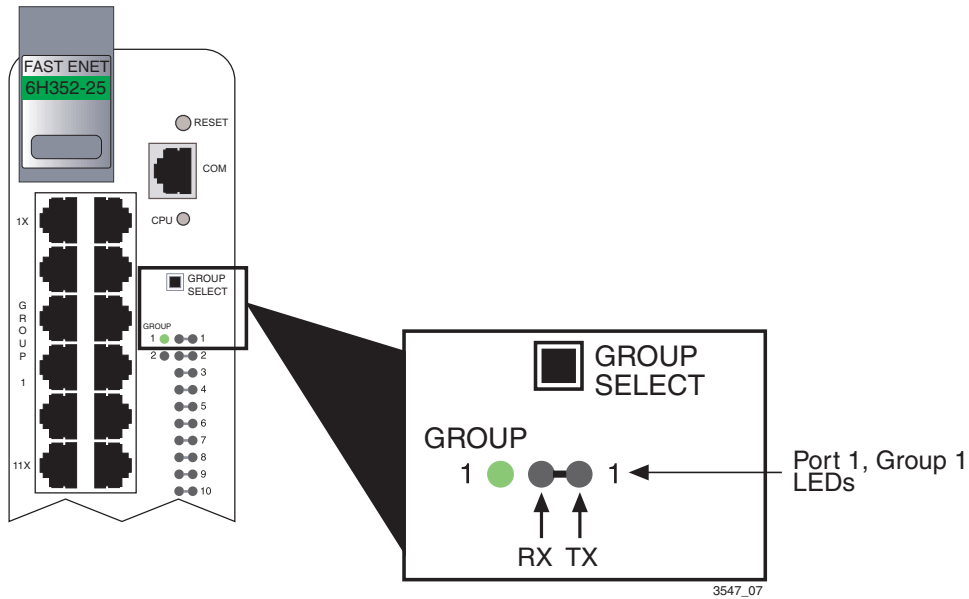


Table 4-1 describes the LED indications and provides recommended actions as appropriate.



**NOTE:** The terms **flashing**, **blinking**, and **solid** used in Table 4-1 indicate the following:

**Flashing** indicates an LED is flashing randomly.

**Blinking** indicates an LED is flashing at a steady rate (approximately 50% on, 50% off).

**Solid** indicates a steady LED light. No pulsing.

Table 4-1 LANVIEW LEDs

LED	Color	State	Recommended Action
CPU	Off	Power off.	Ensure chassis has adequate power.
	Red	<b>Blinking.</b> Hardware failure has occurred.	Contact Enterasys Networks for technical support.
		<b>Solid.</b> Resetting, normal power up reset.	If the LED remains red for several minutes, contact Enterasys Networks for technical support.
	Amber	<b>Blinking.</b> Crippled.	Contact Enterasys Networks for technical support.
		<b>Solid.</b> Testing.	If the LED remains amber for more than several minutes, contact Enterasys Networks for technical support.
	Green	<b>Solid.</b> Functional.	None.
RX (Receive)	Amber and Green	<b>Booting.</b> Blinks amber and green while booting.	None.
	Off	<b>No link.</b> No activity or port in standby. Port enabled or disabled.	None.
	Green	<b>Solid.</b> Link, port enabled, no activity.	None.
		<b>Blinking.</b> Link, port disabled.	None.
Amber	<b>Flashing.</b> Link, port enabled, activity.	None.	
Red	<b>Solid.</b> Diagnostic failure.	Contact Enterasys Networks for assistance.	

Table 4-1 LANVIEW LEDs (Continued)

LED	Color	State	Recommended Action
TX (Transmit)	Off	Port enabled, and no activity.  Should flash green every two seconds indicating BPDUs being sent if STA is enabled and there is a valid link.	<ol style="list-style-type: none"> <li>1. Ensure that the STA is enabled and that there is a valid link.</li> <li>2. Contact Enterasys Networks for technical support.</li> </ol>
	Green	<b>Flashing.</b> Indicates activity. Rate indicates data rate.	None.
	Amber	<b>Blinking.</b> Port in standby.  Port may be disabled due to Spanning Tree.	<ol style="list-style-type: none"> <li>1. Ensure that the port is not disabled.</li> <li>2. Contact Enterasys Networks for technical support.</li> </ol>
	Red	<b>Flashing.</b> Indicates collision rate.  <b>Solid.</b> Diagnostic failure.	<p>None, unless there is a high amount of activity. In this case, check for network configuration problems or a defective device.</p> <p>Contact Enterasys Networks for technical support.</p>



## 4.2 TROUBLESHOOTING CHECKLIST

If the 6H352-25 is not working properly, refer to [Table 4-2](#) for a checklist of problems, possible causes, and recommended actions to resolve the problem.

**Table 4-2 Troubleshooting Checklist**

Problem	Possible Cause	Recommended Action
All LEDs are OFF.	Loss of power.	Ensure that the 6H352-25 was installed properly according to the installation instructions in <a href="#">Chapter 3</a> , and that the host chassis is powered properly.
No Local Management Password screen.	Autobaud is enabled, but the baud rate has not yet been detected.	Press ENTER (RETURN) (may take up to four times).
	Incorrect terminal setup.	Refer to the <i>MATRIX E7 Series and SmartSwitch 6000 Series Modules Local Management User's Guide</i> for proper setup procedures.
	Improper console cable pinouts.	Refer to <a href="#">Appendix A</a> for proper COM port pinouts.
	Corrupt firmware image, or hardware fault.	If possible, attempt to download the image to the 6H352-25 again. Refer to <a href="#">Section B.2</a> for instructions to clear NVRAM.
Cannot navigate beyond Password screen.	Improper Community Names Table.	<ol style="list-style-type: none"> <li>1. Refer to the <i>MATRIX E7 Series and SmartSwitch 6000 Series Modules Local Management User's Guide</i> for the Community Names Table setup.</li> <li>2. If the Community Names have been forgotten, refer to <a href="#">Section B.2</a> for instructions on how to set the mode switch to reset the Community Names to their default values.</li> </ol>

**Table 4-2 Troubleshooting Checklist (Continued)**

Problem	Possible Cause	Recommended Action
<p>Cannot contact the 6H352-25 through in-band management.</p>	<p>IP address not assigned.</p>	<p>Refer to the <i>MATRIX E7 Series and SmartSwitch 6000 Series Modules Local Management User's Guide</i> for the IP address assignment procedure.</p>
	<p>Port is disabled.</p>	<p>Enable port. Refer to the <i>MATRIX E7 Series and SmartSwitch 6000 Series Modules Local Management User's Guide</i> for instructions to enable/disable ports.</p>
	<p>No link to device.</p>	<ol style="list-style-type: none"> <li>1. Verify that all network connections between the network management station and the 6H352-25 are valid and operating.</li> <li>2. If the problem continues, contact Enterasys Networks for technical support.</li> </ol>
<p>Port(s) goes into standby for no apparent reason.</p>	<p>Loop condition detected.</p>	<ol style="list-style-type: none"> <li>1. Verify that Spanning Tree is enabled. Refer to <i>MATRIX E7 Series and SmartSwitch 6000 Series Modules Local Management User's Guide</i> for the instructions to set the type of STA.</li> <li>2. Review the network design and delete unnecessary loops.</li> <li>3. If the problem continues, contact Enterasys Networks for technical support.</li> </ol>
<p>User parameters (IP address, Device and Module name, etc.) were lost when the 6H352-25 power was cycled or the front panel RESET button was pressed.</p>	<ol style="list-style-type: none"> <li>1. Position of Mode switch (7), NVRAM Reset, was changed sometime before either cycling power or pressing the RESET button, causing the user-entered parameters to reset to factory default settings.</li> <li>2. Clear NVRAM was set through Local Management.</li> </ol>	<ol style="list-style-type: none"> <li>1. Reenter the lost parameters as necessary. Refer to <i>MATRIX E7 Series and SmartSwitch 6000 Series Modules Local Management User's Guide</i> for the instructions to configure the device through Local Management.</li> <li>2. If the problem continues, contact Enterasys Networks for technical support.</li> </ol>

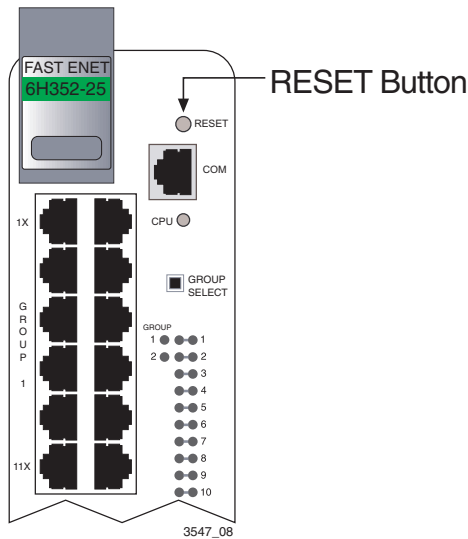
## 4.3 USING THE RESET BUTTON

The RESET button shown in [Figure 4-2](#) resets and re-initializes the 6H352-25.



**CAUTION:** Pressing the RESET button resets the device, and all current switching being performed by the module is halted. A network downtime of up to two minutes will result from this action for any devices connected to the 6H352-25.

**Figure 4-2** RESET Button



To reset the 6H352-25, press and release the RESET button. The 6H352-25 goes through a reset process for approximately 60 seconds. Additional downtime may result as the module reenters the network.



**NOTE:** Pressing the RESET button while the 6H352-25 is already in reset mode is not recommended. If the RESET button is pressed while the 6H352-25 is in reset mode, the module will enter an extended diagnostic procedure, which is unnecessary for normal operation. This extended diagnostic procedure takes longer than one minute to complete.

# Specifications

This appendix provides operating specifications for the Enterasys Networks 6H352-25 module. Enterasys Networks reserves the right to change the specifications at any time without notice.

**Table 1-1 Specifications for the 6H352-25 Module**

Item	Specification
<b>I/O Ports</b>	
Ports 1 through 24	Fast Ethernet 10/100 Mbps (10BASE-T and 100BASE-TX compliant) with 24 RJ45 connectors.
Interface Slot	Slot accepts optional High Speed Interface Module (HSIM) or Very High Speed Interface Module (VHSIM) to provide a variety of cabling connections.
<b>Processors/Memory</b>	
Processors	Intel i960 HT RISC processor Power PC
Dynamic Random Access Memory (DRAM)	32 MB
FLASH Memory	8 MB expandable to 16 MB
Shared Memory	4 MB
<b>Physical</b>	
Dimensions	46.43 H x 6.05 W x 29.51 D (cm) 18.28 H x 2.38 W x 11.62 D (in)
Approximate Weight (Unit)	2.04 kg (4.5 lb)
MTBF (Predicted)	211,637 hours

**Table 1-1 Specifications for the 6H352-25 Module (Continued)**

Item	Specification
<b>Environmental</b>	
Operating Temperature	5°C to 40°C (41°F to 104°F)
Storage Temperature	-30°C to 73°C (-22°F to 164°F)
Operating Relative Humidity	5% to 90% (non-condensing)

## A.1 COM PORT PINOUT ASSIGNMENTS

The COM port is a serial communications port that supports Local Management or connection to a UPS.

Table A-2 shows the COM port pin assignments.

**Table A-2 COM Port Pin Assignments**

Pin	Signal Name	Input/Output
1	Transmit Data (XMT)	Output
2	Data Carrier Detect (DCD)	Output
3	Data Set Ready (DSR)	Input
4	Receive Data (RCV)	Input
5	Signal Ground (GND)	NA
6	Data Terminal Ready (DTR)	Output
7	Request to Send (RTS)	Input
8	Clear to Send (CTS)	NA

## A.2 REGULATORY COMPLIANCE

This equipment meets the following safety and electromagnetic compatibility (EMC) requirements:

Safety:

UL 1950, CSA C22.2 No. 950,  
73/23/EEC, EN 60950, and IEC 950

Electromagnetic Compatibility (EMC): FCC Part 15, CSA C108.8, 89/336/EEC, EN 55022,  
EN 61000-3-2, EN 61000-3-3, EN 55024, EN 60825,  
AS/NZS 3548, and VCCI V-3





---

## Mode Switch Bank Settings and Options

This appendix covers the following items:

- Required tools ([Section B.1](#))
- Locations, functions, and settings for the mode switches ([Section B.2](#))
- Upgrading FLASH memory ([Section B.3](#))

### B.1 REQUIRED TOOLS

Use the following tools to perform the procedures provided in this appendix:

- Antistatic wrist strap
- Phillips screwdriver



**CAUTION:** An antistatic wrist strap is required (provided with the module) to perform the procedures in this appendix. Use the antistatic wrist strap when performing any of the procedures in this appendix to minimize ESD damage to the devices involved.

## B.2 SETTING THE MODE SWITCHES



**CAUTION:** Read the appropriate sections to be fully aware of the consequences when changing switch settings.

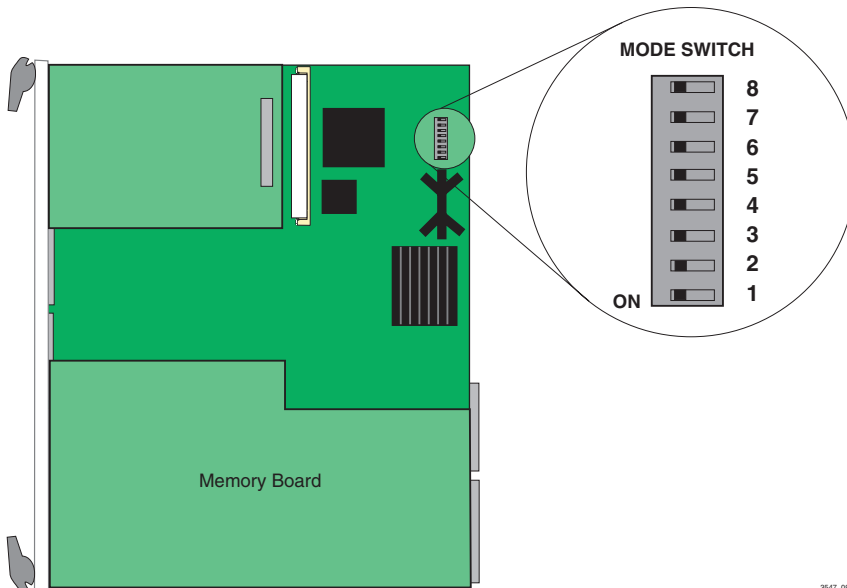
Only qualified personnel should change switch settings.

Figure B-1 shows the location of the mode switches and the switch settings for normal operation. These switches are set at the factory and rarely need to be changed.

Switch definitions and positions are as follows:

- Switches 1 through 4 – For Enterasys Networks use only.
- Switch 5 – COM Port Autobaud. The default (OFF) position enables Autobaud sensing on the COM port for Local Management sessions. Changing the switch to the ON position disables Autobaud sensing and sets the COM port to 9600 baud for Local Management sessions.

Figure B-1 Mode Switch Location



- Switch 6 – Forced BootP.



**NOTE:** After changing the position of Switch 6, DO NOT reapply power to the module until there is a station on the network acting as a BootP server, which contains the downloadable firmware image file.

DO NOT attempt a Forced BootP unless a BootP server has been configured for the module. The BootP server references the location of a station acting as a Trivial File Transfer Protocol (TFTP) server containing the module image file.

When the position of Switch 6 is changed and the power is cycled to the module, the device requests the image file location from the BootP server and uses TFTP to download the image from the TFTP server. If one of these requirements is not met, the module continues to request either the BootP server or the TFTP server until the RESET button on the module is pressed. Once the RESET button is pressed, the module resets after one minute and loads the image stored in FLASH memory.

- Switch 7 – Clear NVRAM. Changing the position of this switch resets NVRAM on the next power-up of the device. All user-entered parameters, such as the IP address, device names, etc., are reset to the factory default settings. Once the module resets, you can either use the factory default settings or reenter your own parameters.
- Switch 8 – Reset Password/Community Names. Changing the position of this switch clears user-entered passwords stored in NVRAM, and restores the factory default passwords on the next power-up of the device. Once the module resets, you can either use the factory default settings or reenter your own passwords.



**NOTE:** Do not change the position of Switch 8 unless it is necessary to reset the super-user configured passwords to their factory default settings.

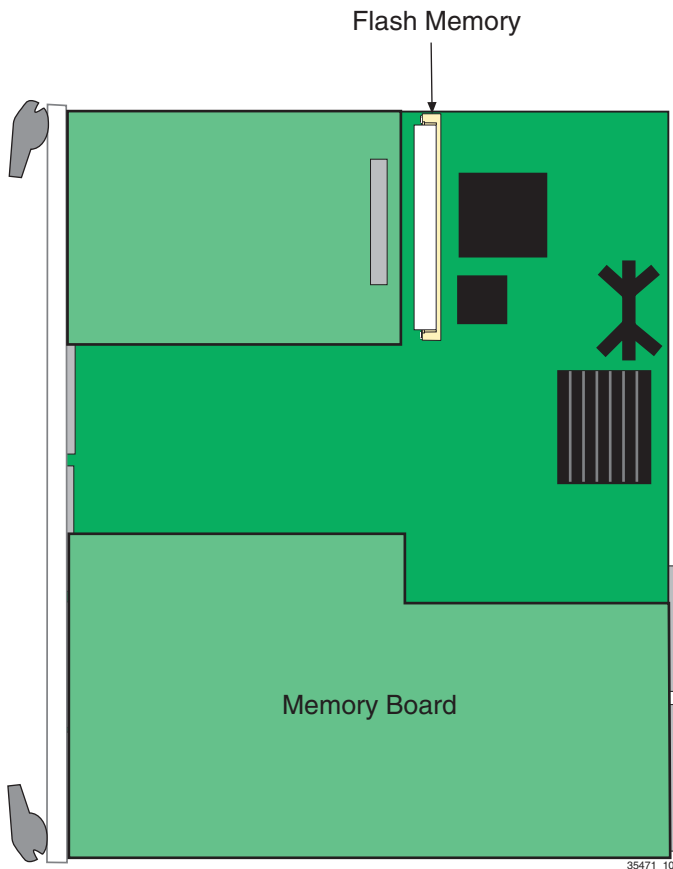
## B.3 FLASH MEMORY UPGRADE

FLASH memory upgrade is available for the SmartSwitch to expand from 8 to 16 MB. This section explains how to locate and add/replace the FLASH memory. For details on getting help, refer to [Getting Help](#), in [About This Guide](#).

### B.3.1 Locating the FLASH Memory

Figure B-2 shows the location of the FLASH memory.

Figure B-2 FLASH Memory Location



## B.3.2 Installing the FLASH Memory

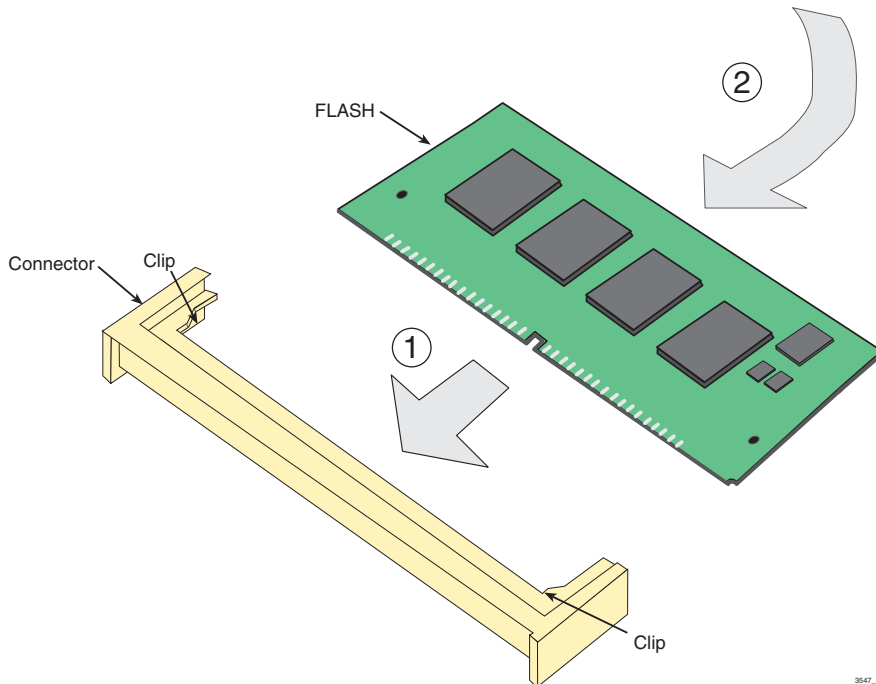


**CAUTION:** Observe all antistatic precautions when handling sensitive electronic equipment.

To install a FLASH memory, refer to [Figure B-3](#) and proceed as follows:

1. With the FLASH memory oriented as shown in [Figure B-3](#), insert the FLASH memory down between the connector.
2. Pivot the FLASH memory downward so the connector clips align with the two side notches of the FLASH memory and the connector clips lock the FLASH memory into place.

**Figure B-3** Installing the FLASH Memory



3547\_11

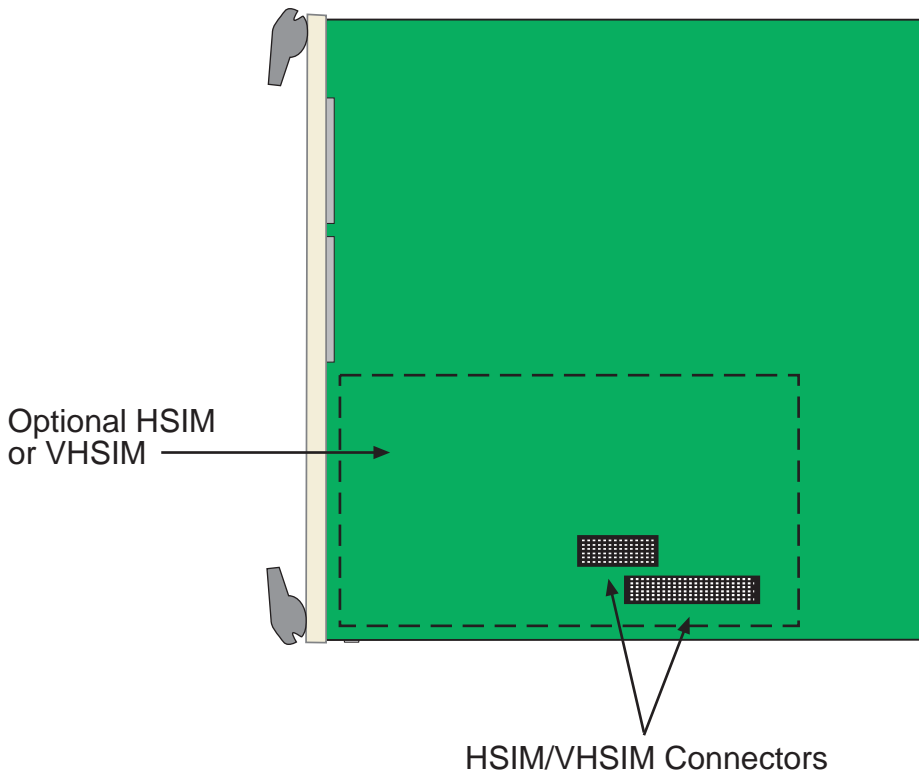
## B.4 INSTALLING OPTIONAL HSIM OR VHSIM INTERFACE MODULES

Figure B-4 shows the location of the two connectors for an optional HSIM or VHSIM. Depending on the HSIM or VHSIM installed, one or both connectors are used.



**NOTE:** The installation instructions for the optional HSIM or VHSIM are in the associated user's guide. Do not install the HSIM or VHSIM without referring to the proper installation guide.

Figure B-4 HSIM and VHSIM Connector Locations



## Numerics

---

- 100BASE-TX
  - requirements [2-2](#)
- 10BASE-T
  - requirements [2-1](#)
- 802.1p Port Priority
  - introduction to [1-6](#)

## A

---

- Auto-Negotiation [1-4](#)

## B

---

- Broadcast Suppression
  - introduction to [1-5](#)

## C

---

- Cable specifications
  - 100BASE-TX network [2-2](#)
  - 10BASE-T network [2-1](#)
- COM port
  - pin assignments [A-2](#)
- Connecting to the network [3-7](#)
- Connectivity
  - introduction to [1-3](#)

## D

---

- Distributed Chassis Management [1-7](#)
  - support [3-3](#), [3-5](#)
- Document conventions [xiii](#)

## F

---

- FLASH
  - installation [B-5](#)
- Flow Control [1-6](#)
- Front panel [1-2](#)

## G

---

- GARP Switch Operation [1-6](#)
- Getting help [xiv](#)
- GROUP SELECT button
  - use of the [4-1](#)

## H

---

- HSIM
  - installation of [B-6](#)

## I

---

- Installation
  - connecting to the Network [3-7](#)
  - HSIM
    - location of [B-6](#)
  - VHSIM
    - location of [B-6](#)

## L

---

- LANVIEW LEDs [4-1](#)
- Local Management
  - introduction to [1-7](#)

---

## M

---

Management  
  use of [1-7](#)  
Mode Switch  
  setting [B-2](#)  
Module features [1-1](#)  
Module Installation [3-3](#)

## P

---

Pinouts  
  crossover [3-9](#)  
  straight-through [3-9](#)  
Port redirect function  
  introduction to [1-5](#)

## R

---

Receive LEDs  
  viewing of [4-1](#)  
Redirect functions  
  port and VLAN  
  introduction to [1-5](#)  
Regulatory Compliance [A-3](#)  
Related manuals [xii](#)  
Remote Monitoring (RMON)  
  introduction to [1-4](#)  
RESET button [4-7](#)  
Runtime IP address discovery  
  introduction to [1-3](#)

## S

---

SecureFast Switching support [3-5](#)  
SmartTrunk  
  introduction to [1-4](#)  
Specifications [A-1](#)  
Standards compatibility [1-8](#)  
Switching options  
  introduction to [1-7](#)

## T

---

Traffic Rate Limiting [1-5](#)  
Transmit LEDs  
  viewing of [4-1](#)  
Troubleshooting [4-1](#)  
  checklist [4-5](#)

## U

---

Unpacking the module [3-2](#)

## V

---

VHSIM  
  installation of [B-6](#)  
Viewing Receive and Transmit Activity  
  instructions for [4-1](#)  
VLAN redirect function  
  introduction to [1-5](#)